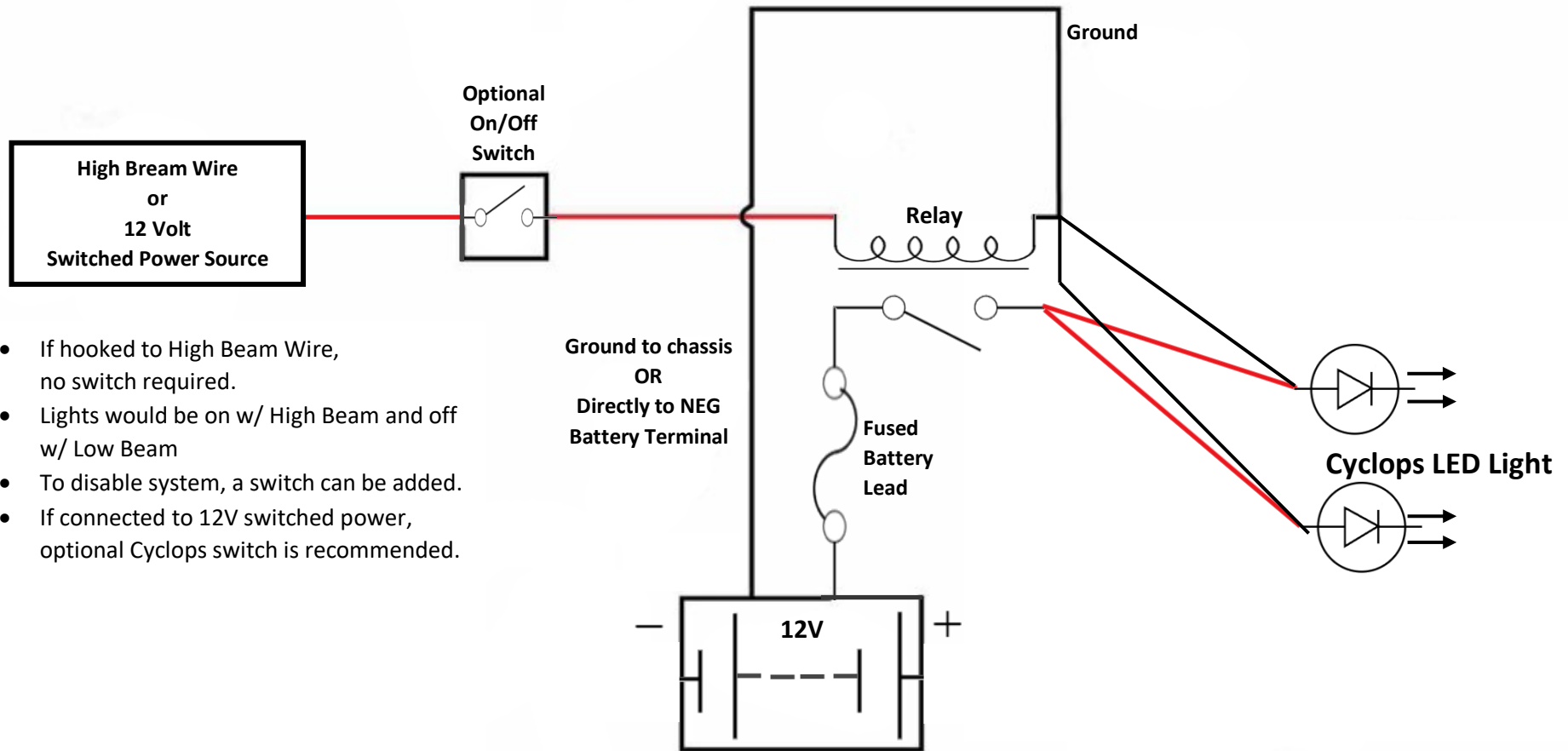




Pegasus LED Light Kit



- If hooked to High Beam Wire, no switch required.
- Lights would be on w/ High Beam and off w/ Low Beam
- To disable system, a switch can be added.
- If connected to 12V switched power, optional Cyclops switch is recommended.