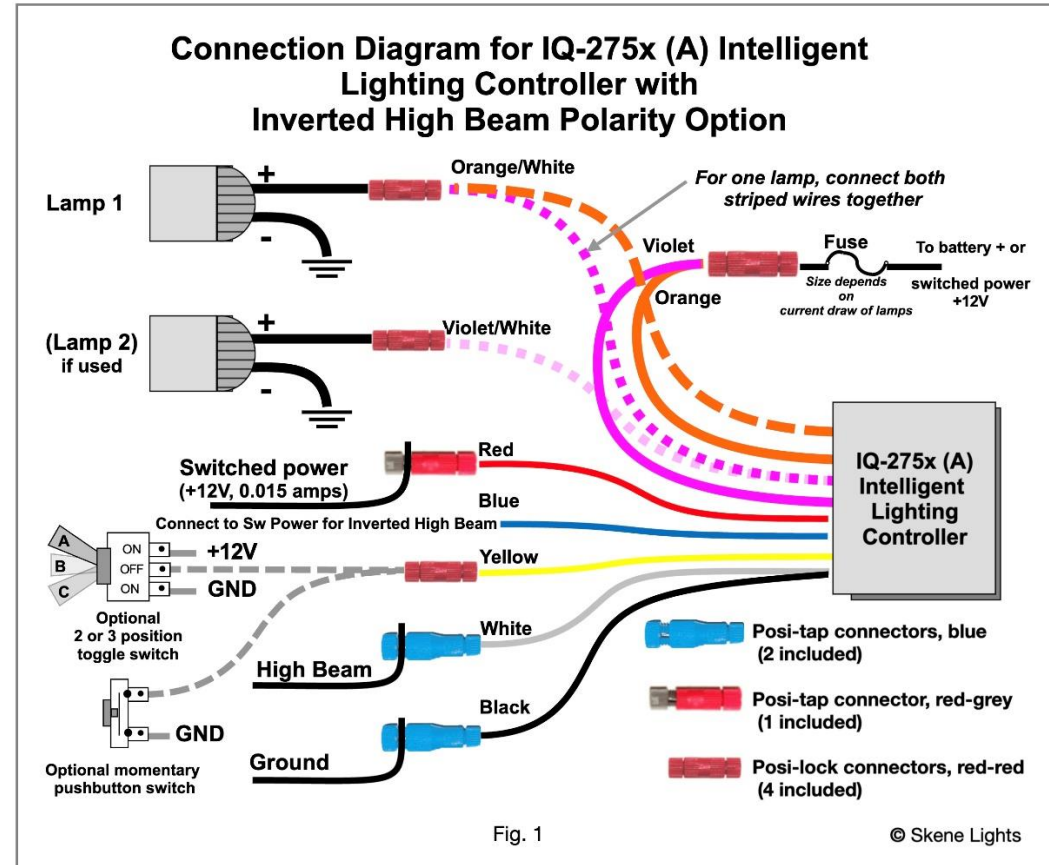


Connect the solid violet and orange wires through an appropriate fuse with a Posi-Lock® connector, then to a switched or unswitched 12-volt source. Note that the IQ-275 serves as a relay, so no separate relay is required.

Connect the red, white, and black wires from the controller to your vehicle's switched power, high beam and ground wires respectively using the included Posi-Tap® connectors. Switched power to the red wire can be any power source that comes on with the ignition, such as a parking light or taillight. It only needs to supply 0.015 amps to power the controller. Note: The red wire may be connected to the same 12-volt source as the solid violet and orange wires if it is a switched source.

Instructions for using the Posi-tap® and Posi-Lock® connectors are shown in Figure 2.



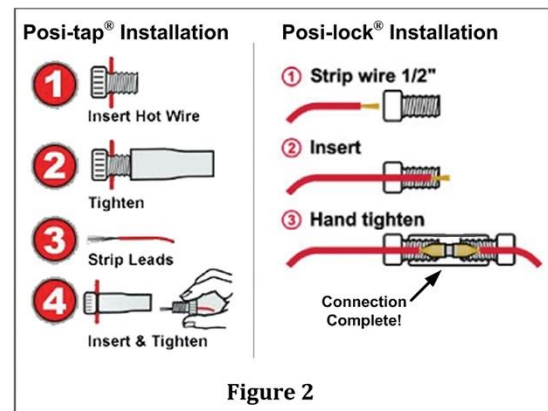
If several brightness settings are required, connect the yellow wire to a 2 or 3 position toggle switch or momentary pushbutton switch wired as shown in Figures 1, 3 and 4.

**Configure Operating Mode - Driving or Fog Light**

The IQ-275 comes configured to control driving lights, which come on at full brightness when the high beam comes on.

It can instead be configured to control fog lights, which go off when the high beam comes on. Most jurisdictions have regulations that require auxiliary lamps to operate this way. This configuration may be changed to suit your requirements as follows:

- Ensure that the high beam switch is ON, and the yellow wire is left disconnected (i.e., not connected to ground or +12 volts)
- Turn on the ignition and before 5 seconds elapse, briefly connect the yellow wire to ground twice within 1 second. This will toggle the mode between Driving Light mode and Fog Light mode. If a switch is connected to the yellow wire as shown in Figures 1, 3 or 4, this switch may be used to connect the yellow wire to ground.



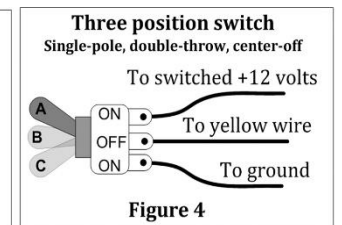
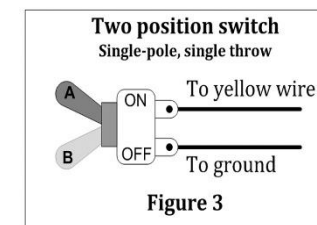
**Brightness Control**

When the high beam is off, the controller provides one programmable brightness setting and can provide three settings with the installation of a customer-supplied switch. The default brightness settings are determined by the yellow wire connection as shown in the table below.

Yellow Wire	Setting	Default Lamp Brightness
Ground	A	10%
Not Connected	B	20%
+12 volts	C	50%

- If no switch is used, the bare end of the yellow wire should be insulated with tape or the included Posi-Lock® connector. The lamps will then illuminate at setting B
- If a two-position toggle switch is connected to the yellow wire as shown in Figure 3, two settings, A or B may be selected
- A momentary-contact, normally open pushbutton switch may also be used to provide two settings. When connected as shown in Figure 1, a Double Tap on this switch will toggle between settings A and B
- If a three-position, center-off toggle switch is used as shown in Figure 4, three settings, A, B or C, may be selected
- If you use an Off/Low/High switch without a separate high beam switch, you will need to program the Off and Low settings before connecting the white wire to the High position on the switch.

All brightness settings are programmable using the instructions on the following page.



## Programming

The brightness of the A, B and C settings may be changed from the default setting to suit your own requirements, depending upon the brightness of the attached lamps. This is done as follows:

- Ensure that the high beam switch is OFF, then turn on the ignition. The lamps connected to the controller will come on at low power for three seconds. This minimizes power drain on the vehicle's battery before the engine starts. **The lamps will then briefly flash two times** and switch to the brightness level determined by the connection of yellow wire.
- To program different brightness levels, **as soon as you see the two flashes from the lamps, flash the high beam three times before 10 second's elapse**. The controller will respond by flashing the lamps back 3 times, signaling that the unit is now in programming mode.
- Once in programming mode, **each time the high beam is turned on then off, the brightness for the setting selected by the switch on the yellow wire will increase by 10%** until it reaches 100%, or full on. The next increment beyond 100% will cycle it back to 0%, or off.
- When the desired brightness for this switch setting has been reached, move the switch to the next position (or hold down the push button switch if that is being used) and program this setting in the same manner.
- When each brightness setting has been programmed, **exit the programming mode by turning the ignition off**. The controller will also exit programming mode if there is no activity on the high beam switch for 20 seconds. The new brightness level for each setting is automatically saved and will be remembered the next time the ignition is turned on.

## ALERT feature (IQ-275-A model only)

To activate the high-visibility ALERT feature, **flash the high beam twice within 1 second**. The lamps will respond with a very noticeable flash sequence that signals traffic in front of you of your presence. This feature is not available until approximately 15 seconds after the ignition has been turned on once the programming window has ended (10 seconds after the initial double flash).

## Specifications:

<i>Controller Input Voltage:</i>	9-16 V de
<i>Controller current draw (red wire):</i>	0.015 amps
<i>Max. lamp power.</i>	12 amps (144 watts) on each wire, 24 amps (288 watts) for both wires
<i>Maximum lamp operating voltage:</i>	16 V
<i>Programmable brightness range:</i>	0 - 100% in 10% increments
<i>Control module dimensions:</i>	L: 1.75" W: 1.31" H: 0.5"
<i>Control module weight:</i>	1 oz.



SKENE LIGHTS

Email: [info@skenelights.com](mailto:info@skenelights.com)  
Web page: [www.skenelights.com](http://www.skenelights.com)  
800-624-0278

Designed and manufactured in the USA



# IQ-275X Intelligent Lighting Controller

## Installation and Instruction Manual

More information and wiring examples may be found at:  
[www.skenelights.com/installation-iq-275](http://www.skenelights.com/installation-iq-275)

The IQ-275 enables convenient and immediate control of the brightness of auxiliary driving or fog lamps.

- When the controller is configured in driving light mode, activating the high beam turns the lamps on at full power
- When in fog light mode, activating the high beam turns the lamps *off*. This is a legal requirement in most countries.

An optional customer-supplied switch may be used to set the lamps to any of three programmable brightness levels when the high beam is *off*.

The IQ-275-A model includes an ALERT feature that flashes the lamps in a highly visible pattern when the high beam is switched rapidly on and off twice, increasing your visibility to oncoming traffic.

**IMPORTANT:** This product is designed for use on incandescent lamps and most LED lamps. **Use with HID lamps may damage the lamps and/or controller and will void your warranty.**

## Installation

As shown in Fig. 1, connect the negative lead on each lamp to ground. Connect the positive lead on each lamp to the striped violet/white and orange/white wires on the controller using an included Posi-Lock® connector. The striped wires may be connected if only one lamp is used or to a single wire connected to all the attached lamps.