



KTM 950/990 Penetrator LED Light Bar

Disclaimer: We assume you possess the expertise and relevant tools to work on your machine. We also assume you have the OEM/Stock owner's manual or technical service manual for your machine. If you do not possess the skills, knowledge, or tools necessary to perform the installation of electrical and/or aftermarket parts, please see a qualified service provider.

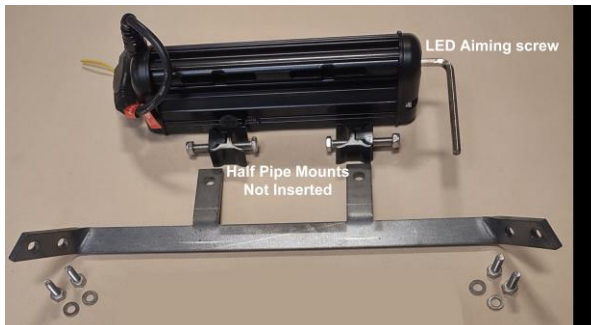
Installation

1. Start by removing the panels from both sides of the bike and the headlight.
2. Remove the factory grill where the light will sit.
3. Cut the center of the factory grill as shown in the photo or leave the grill completely off.

Modifying the grill, as shown in the photos, will provide a better-looking bike and overall better satisfaction with the kit.



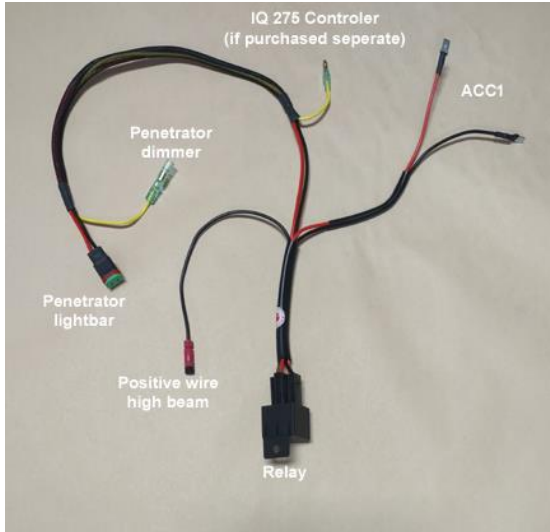
4. Install the two half pipe mounts to attach the light bar to the 990 bracket, center the light bar on the mount as closely as possible. Do not tighten these bolts all the way just yet.



- Next mount the steel bracket using the existing grill attachment holes and provided 6mm bolts and washers. If using a modified grill, stretch the grill over the mount. The plastic grill be on the outside of the 990 mount. Do not tighten anything quite yet. Run all 4 6mm bolts approx. 1/2 way in.
- Once satisfied with the fit tighten up the 4 side bolts being careful not to smash the plastic grill attachment points.



KTM 950-990-1090-1190 Headlight Harness



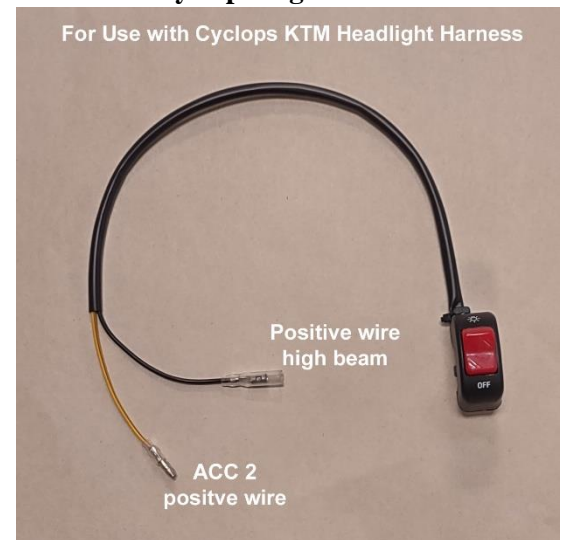
Light Bar Wiring

To operate only when the headlight is on high beam via the factory high beam switch.

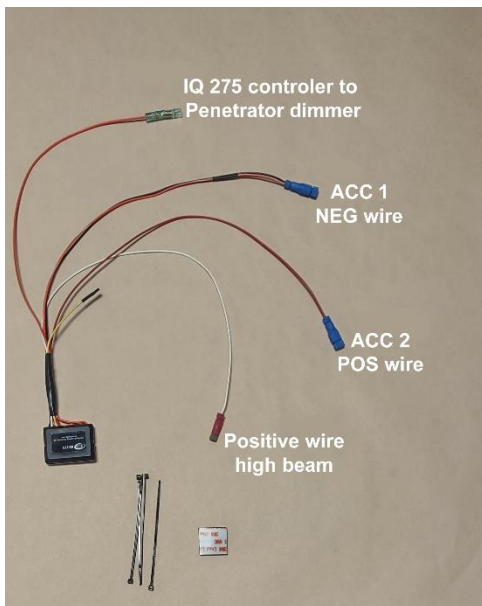
If you wish to use a separate switch to operate the light bar.

- Begin installation with the KTM Headlight Harness above
- Install the Cyclops light switch into the Headlight wiring harness above (All connectors will be plug and play from Cyclops if you order them at the same time.)

Cyclops Light Switch



- Low and High beam operations require the Skene IQ 275 dimmer.



Functions Check

- Turn on the key and check the function of the penetrator light bar based on the wiring configuration used above.
- Aim the light to your desired position and tighten the aiming screws
- Tighten down the two main mount bolts and the larger side bolts on each end of the light bar.
- Reinstall your side panels and headlight.

